



SERVICE MANUAL

AIR CONDITIONER

Please read this manual carefully before operating your set and retain it for future reference.

EXPLODED VIEW

ARNU18GV1A4

ARNU24GV1A4

ARNU48GV2A4

ARNU36GV2A4

P/NO : MFL68506311

<http://biz.lgservice.com>

1. Specification

Indoor

Model		Unit	ARNU18GV1A4	ARNU24GV1A4
Cooling capacity		kW	5.6	7.1
		kcal/h	4,800	6,100
		Btu/h	19,100	24,200
Heating capacity		kW	6.3	8.0
		kcal/h	5,400	6,900
		Btu/h	21,500	27,300
Dimensions	Body(WxDxH)	mm	1200 x 235 x 690	1200 x 235 x 690
		inch	47.2 x 27.0 x 9.3	47.2 x 27.0 x 9.3
Coil	RowsxColumnsxFPI		3x18x18	3x18x18
Fan	Type		CFF	CFF
	Motor Output × Number	W	145.7 x 1	145.7 x 1
	Air Flow Rate(H/M/L)	CMM	13.5 / 12.5 / 12	14 / 13 / 12
		cfm	477/441/424	494/459/424
	Drive		Direct	Direct
Motor Type		BLDC	BLDC	
Temperature Control			Microprocessor, Thermostat for cooling and heating	
Safety Device			Fuse	Fuse
Pipe Connection	Liquid Side	mm(inch)	Ø6.35(1/4)	Ø9.52(3/8)
	Gas Side	mm(inch)	Ø12.7(1/2)	Ø15.88(5/8)
	Drain Pipe(Internal Dia.)	mm(inch)	16(0.6)	16(0.6)
Net Weight	Body	kg (lbs)	29(64)	29(64)
Noise Level		dB(A)	36 / 34 / 33	37 / 35 / 33
Power Supply		V,Φ,Hz	1, 220-240, 50	1, 220-240, 50
			1, 220, 60	1, 220, 60
Refrigerant Control			EEV	EEV
Power cord			CV1.5 x 3C	CV1.5 x 3C
transmission Cable			V-SB 1.0~1.5 X 2C	V-SB 1.0~1.5 X 2C
panel Color			Morning fog	Morning fog

Note:

1. Capacities are based on the following conditions:

- Cooling:
- Indoor Temperature 27°C(80.6°F) DB/19°C(66.2°F) WB
 - Outdoor Temperature 35°C(95°F) DB/24°C(75.2°F) WB
- Heating:
- Indoor Temperature 20°C(68°F) DB/15°C(59°F) WB
 - Outdoor Temperature 7°C(44.6°F) DB/6°C(42.8°F) WB
- Piping Length
- Interconnecting Piping Length 7.5m
 - Level Difference of Zero

Conversion Formula
kW = Btu/h x 0.0002931
cfm = CMM x 35.3

2. Wiring cable size must comply with the applicable local and national code.

3. The specification may be subject to change without prior notice for purpose of improvement.

1. Specification

Indoor

Model		Unit	ARNU36GV2A4	ARNU48GV2A4
Cooling Capacity		kW	10.6	14.1
		kcal/h	9,100	12,100
		Btu/h	3,6200	48,000
Heating Capacity		kW	11.9	15.9
		kcal/h	10,200	13,200
		Btu/h	40,600	51,200
Dimensions (WxDxH)	Body (WxHxD)	mm	1600 x 690 x 235	1600 x 690 x 235
		inch	63.0 x 27.0 x 9.3	63.0 x 27.0 x 9.3
Coil	Rows x Columns x FPI		3 x 18 x 18	3 x 18 x 18
Fan	Type		CFF	CFF
	Motor Output x Number	W	145.7 x 1	145.7 x 1
	Air Flow Rate(H / M / L)	CMM	27 / 24 / 20	29 / 24 / 20
		cfm	953 / 848 / 706	1024 / 848 / 706
	Drive		Direct	Direct
Motor type		BLDC	BLDC	
Temperature Control			Microprocessor, Thermostat for cooling and heating	
Safety Device			Fuse	Fuse
Pipe Connections	Liquid Side	mm(inch)	Ø9.52(3/8)	Ø9.52(3/8)
	Gas Side	mm(inch)	Ø15.88(5/8)	Ø15.88(5/8)
	Drain Pipe(Internal Dia.)	mm(inch)	16(0.6)	16(0.6)
Net Weight	Body	kg(lbs)	37(82)	37(82)
Noise Level		dB(A)	48 / 46 / 44	49 / 47 / 44
Power Supply		Ø, V, Hz	1, 220-240, 50	1, 220-240, 50
			1, 220, 60	1, 220, 60
Refrigerant Control			EEV	EEV
Power cord			CV 1.5 x 3C	CV 1.5 x 3C
Transmission cable			CVV-SB 1.0~1.5 X 2C	CVV-SB 1.0~1.5 X 2C
Panel Color			Morning fog	Morning fog

Note:

1. Capacities are based on the following conditions:

- Cooling:
- Indoor Temperature 27°C(80.6°F) DB/19°C(66.2°F) WB
 - Outdoor Temperature 35°C(95°F) DB/24°C(75.2°F) WB
- Heating:
- Indoor Temperature 20°C(68°F) DB/15°C(59°F) WB
 - Outdoor Temperature 7°C(44.6°F) DB/6°C(42.8°F) WB
- Piping Length
- Interconnecting Piping Length 7.5m
 - Level Difference of Zero

Conversion Formula
$kW = Btu/h \times 0.0002931$
$cfm = CMM \times 35.3$

2. Wiring cable size must comply with the applicable local and national code.

3. The specification may be subject to change without prior notice for purpose of improvement.

2. List of Functions

Category	Function	ARNU18GV1A4 / ARNU24GV1A4 / ARNU48GV2A4 / ARNU36GV2A4
Air flow	Air supply outlet	1
	Airflow direction control(left & right)	X
	Airflow direction control(up & down)	Automatic
	Auto swing(left & right)	X
	Auto swing(up & down)	O
	Airflow steps(fan/cool/heat)	3/4/3
	Chaos swing	X
	Chaos wind(auto wind)	X
	Jet cool(Power wind)	O
	Swirl wind	O
Air purifying	Deodorizing filter	X
	Plasma air purifier	X
	Prefilter(washable / anti-fungus)	O
Installation	Drain pump	X
	E.S.P. control	O
	Electric heater(operation)	X
	High ceiling operation	X
Reliability	Hot start	O
	Self diagnosis	O
	Soft dry operation	O
Convenience	Auto changeover	O(only Sync.)
	Auto cleaning	X
	Auto operation(artificial intelligence)	X
	Auto restart operation	O
	Child lock	O(only wired remote controller)
	Forced operation	O
	Group control	O(only wired remote controller)
	Sleep mode	O(only Wireless remote controller)
	Timer(on/off)	O
	Timer(weekly)	O(only wired remote controller)
	Two thermistor control	O(only wired remote controller)
	Individual control	Wide wired remote controller
Deluxe wired remote controller		X
Simple wired remote controller		PQRCVCL0Q(W)
Wired remote controller(for hotel use)		PQRCHCA0Q(W)
Wireless LCD remote control		PQWRHQ0FDB
Special function kit	Zone control	-
	CTIE	-
	Electro thermostat	-
	Remote temperature sensor	-
	Group control wire	PZCWRCG3
	Dry contact	PDRYCB100 / PDRYCB300 / PDRYCB400 / PDRYCB500

Note:

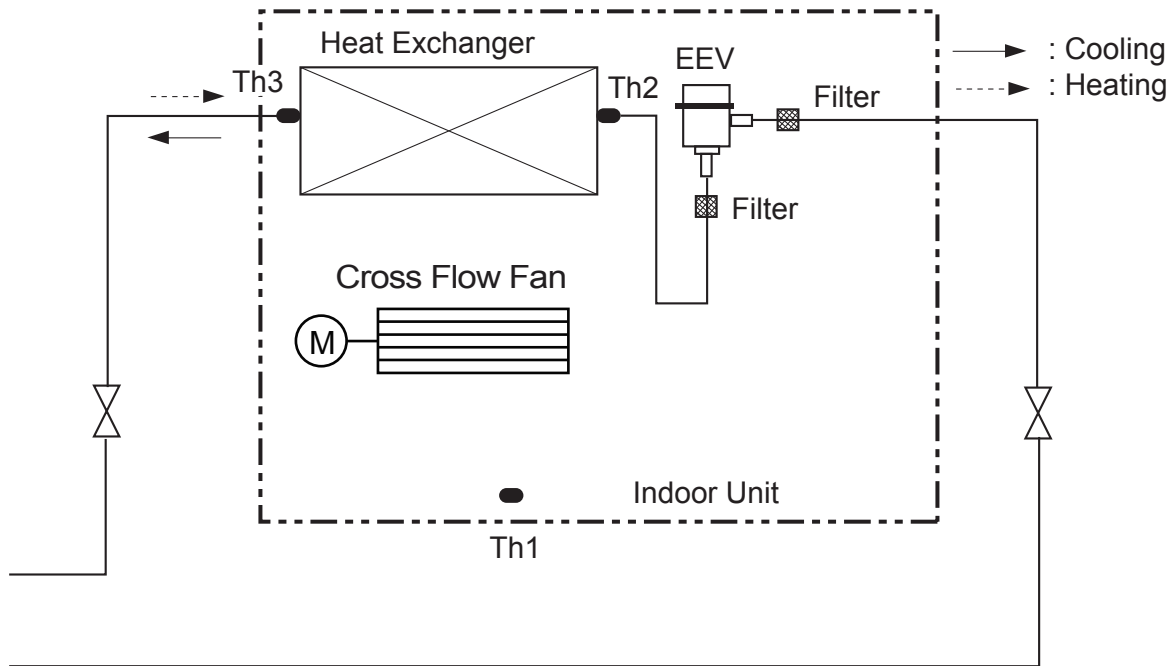
O : Applied, X : Not applied, - : No relation

*Option: Model name & price are different according to options, and assembled in factory with main unit.

*Accessory: Installed at field, ordered and purchased separately by the corresponding model name, supplied with separate package.

*(COLOR) : E(REDF), V(SILVER), G(GOLD), 1(KISS)

3. Piping Diagrams

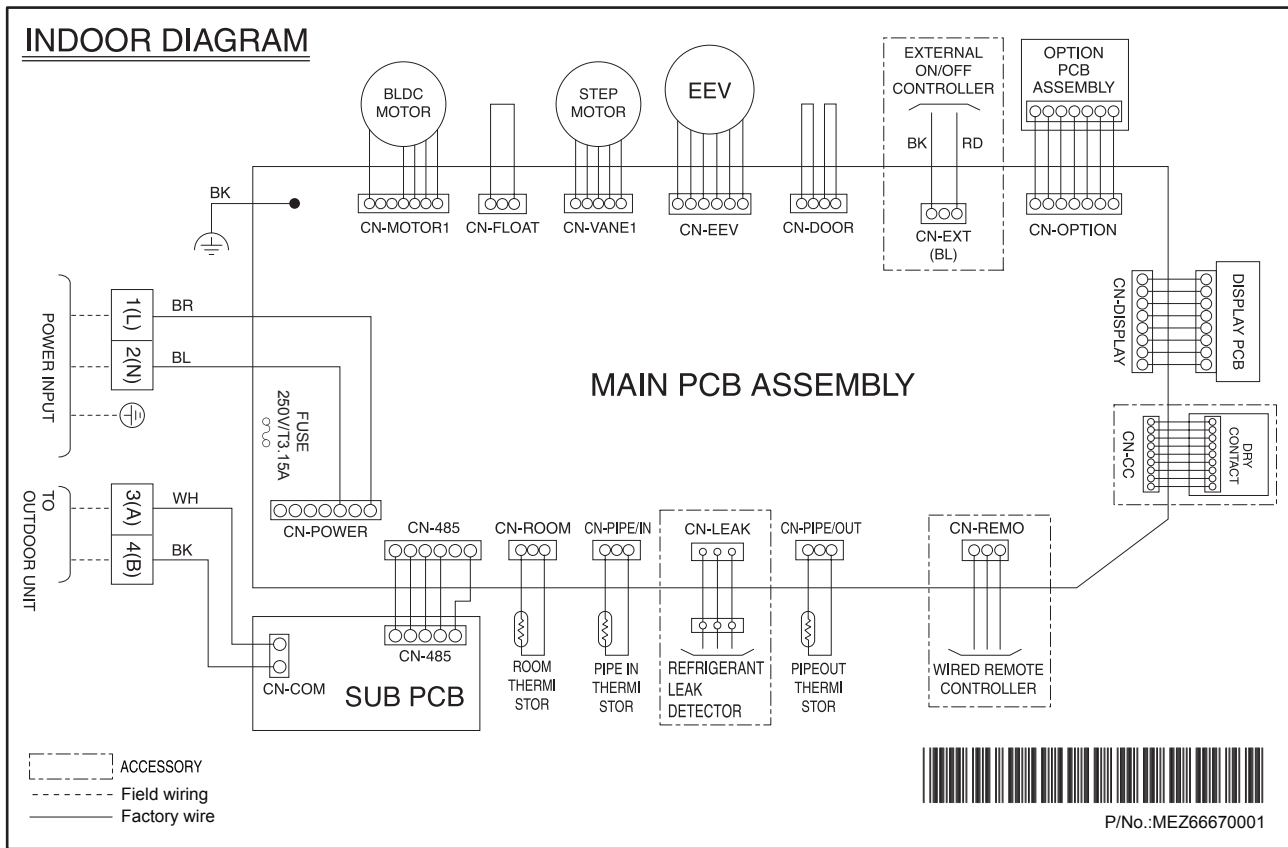


Unit:mm(inch)

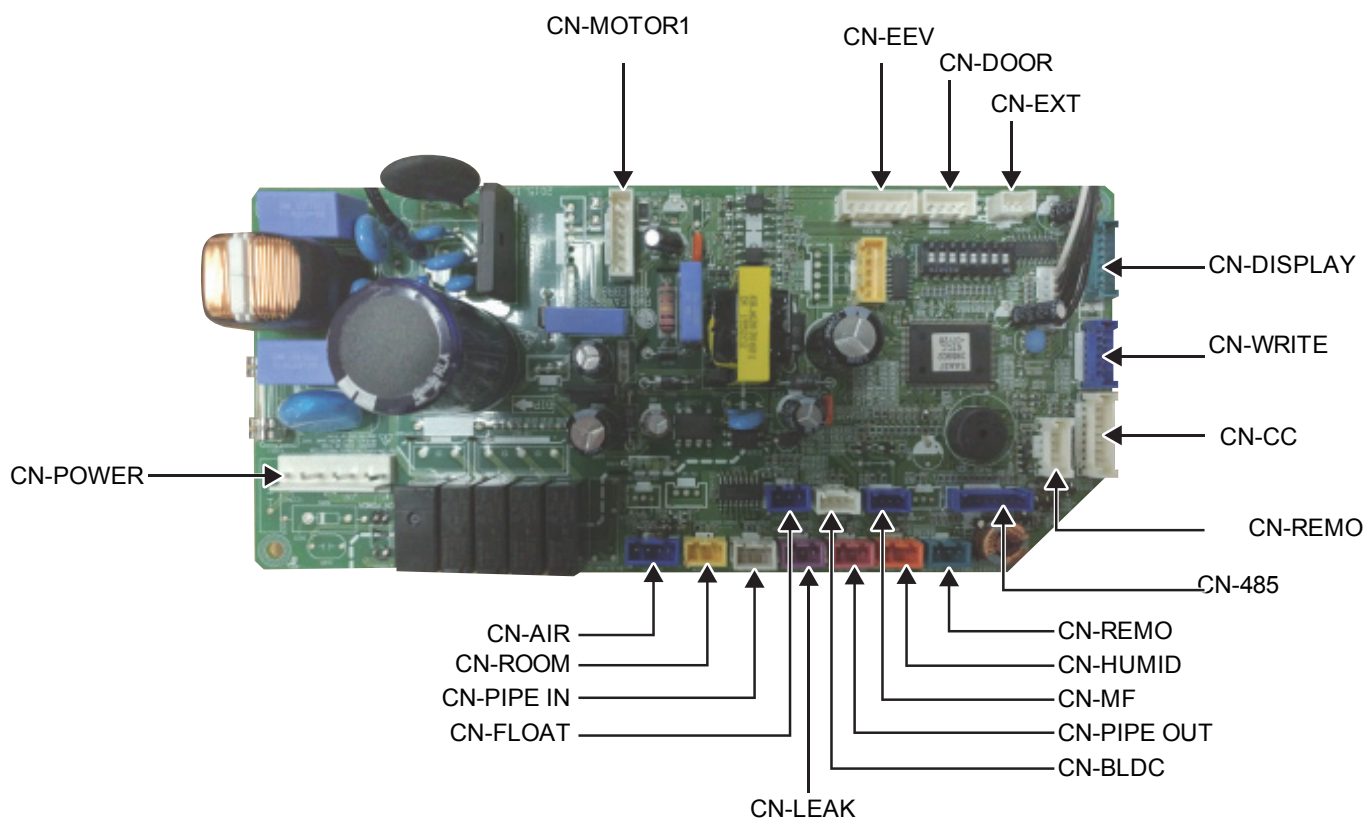
Model	Gas	Liquid
ARNU18GV1A4	Ø 12.7 (1/2)	Ø 6.35 (1/4)
ARNU24GV1A4 ARNU36GV2A4 ARNU48GV2A4	Ø 15.88 (5/8)	Ø 9.52 (3/8)

LOC.	Description	PCB Connector
Th1	Thermistor for Inlet air temperature	CN_ROOM
Th2	Thermistor for Evaporator In temperature	CN_PIPE IN
Th3	Thermistor for Evaporator Out temperature	CN_PIPE OUT

4. Wiring Diagrams

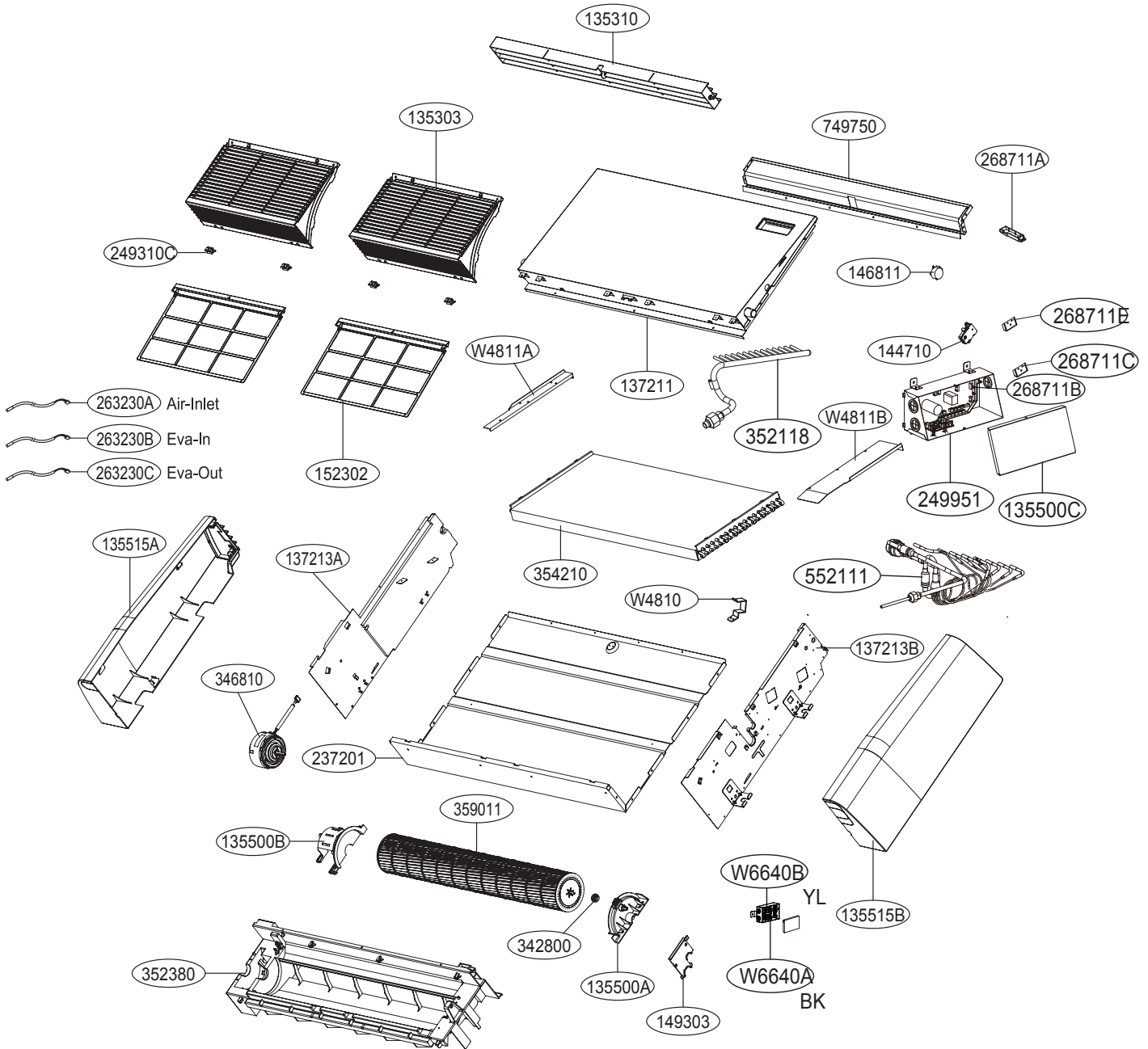


CONNECTOR NUMBER	LOCATION POINT	FUNCTION
CN-MOTOR1	FAN MOTOR OUTPUT	MOTOR OUTPUT OF BLDC
CN-485	COMMUNICATION	COMMUNICATION BETWEEN INDOOR AND OUTDOOR
CN-EEV	EEV OUTPUT	EEV CONTROL OUTPUT
CN-DISP	DISPLAY	DISPLAY OF INDOOR STATUS
CN-ROOM	ROOM SENSOR	ROOM THERMISTOR
CN-PIPE IN	EVA.IN PIPE SENSOR	EVA.IN PIPE THERMISTOR
CN-PIPE OUT	EVA.OUT PIPE SENSOR	EVA.OUT PIPE THERMISTOR
CN-REMO	REMOTE CONTROLLER	REMOTE CONTROL LINE
CN-CC	DRY CONTACT	DRY CONTACT LINE



5. Exploded View

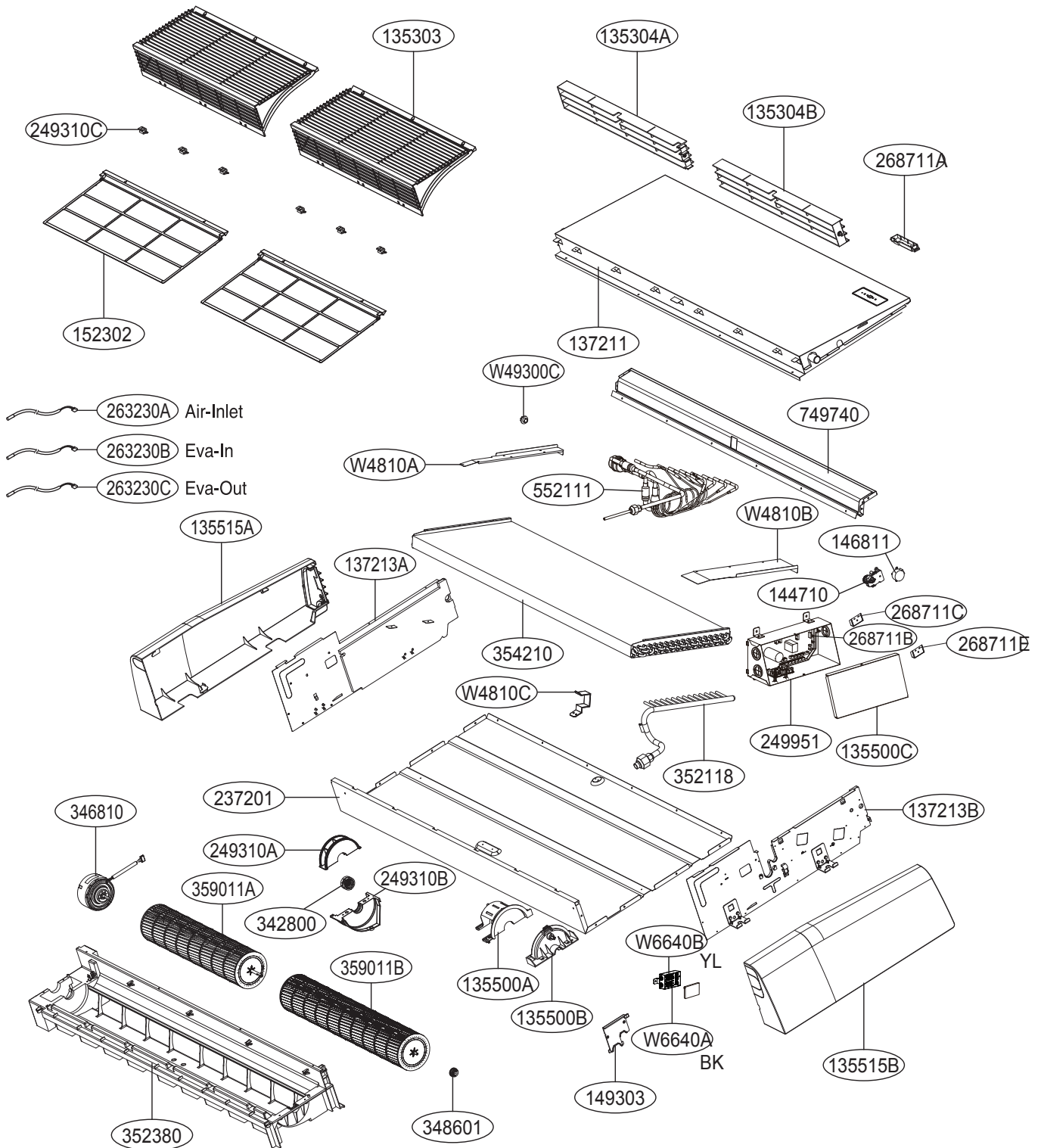
Indoor Unit



Location No.	Description	Sensor Information	Housing Color
263230A	Thermistor1(CN_ROOM)	Indoor Room thermistor	Yellow
263230B	Thermistor2(CN_PIPE/IN)	Indoor in-piping thermistor	White
263230C	Thermistor3(CN_PIPE/OUT)	Indoor out-piping thermistor	Red

Note) * Please ensure GCSC since the replacement parts may be changed depending upon the buyer's request.
Please check the correct parts in View RPL(Replacement Part List) on GCGS.
(GCGS Website <http://biz.Lgservice.com>)

5. Exploded View



Thermistor 1	263230A	Air	Housing color : Yellow
Thermistor 2	263230B	Evaporator In	Housing color : White
Thermistor 3	263230C	Evaporator Out	Housing color : Red

Note) * Please ensure GCSC since the replacement parts may be changed depending upon the buyer's request.
Please check the correct parts in View RPL(Replacement Part List) on GCGS.
(GCGS Website <http://biz.lgservice.com>)

