



CONFIDENTIAL

# Multi Air Conditioner

## **SVC MANUAL(Exploded View)**

**MODEL : ZMNW09GTUA0 (MT09R NU1)  
ZMNW12GTUA0 (MT11R NU1)**

### **CAUTION**

Before Servicing the unit, read the safety precautions in General SVC manual.  
Only for authorized service personnel.

# 1. Specification

Model Name			ZMNW09GTUA0 [MT09R NU1]	ZMNW12GTUA0 [MT11R NU1]
Power Supply		V, Ø, Hz	220-240, 1, 50	220-240, 1, 50
Power Input		W x No.	220, 1, 60	220, 1, 60
Running Current		A	0.2	0.2
Casing Color		-	-	-
Dimensions	Body	W x H x D	mm	860 × 132 × 450
		W x H x D	inch	33-27/32 x 5-3/16 x 17-23/32
Net Weight	Body	kg (lbs)	11.7 (25.8)	11.7 (25.8)
Heat Exchanger	(Row x Column x Fins per inch) x No.		-	(2 x 12 x 18) x 1
	Face Area		m <sup>2</sup> (ft <sup>2</sup> )	0.18 (1.90)
Fan	Type	-	Cross Flow Fan	Cross Flow Fan
	Air Flow Rate	H / M / L	m <sup>3</sup> /min	7.5 / 7.3 / 6.8
		H / M / L	ft <sup>3</sup> /min	265 / 258 / 240
Fan Motor	Type	-	BLDC	BLDC
	Output	W x No.	20 x 1	20 x 1
Sound Pressure Level	H / M / L	dB(A)	36 / 34 / 32	37 / 36 / 33
Sound Power Level	Max.	dB(A)	54	57
Piping Connections	Liquid	mm(inch)	Ø 6.35 (1/4)	Ø 6.35 (1/4)
	Gas	mm(inch)	Ø 9.52 (3/8)	Ø 9.52 (3/8)
	Drain (O.D. / I.D.)	mm	Ø 32.0 / 25.0	Ø 32.0 / 25.0
Safety Devices		-	Fuse	
		-	Thermal Protector for Fan Motor	
Power and Communication Cable (included Earth)		No. x mm <sup>2</sup> (AWG)	4C x 0.75 (18)	4C x 0.75 (18)
Decoration Panel	Model Name		-	PT-UUC1
	Casing Color		-	Morning Fog
	Dimensions	W x H x D	mm	1,100 × 34 × 500
		W x H x D	inch	43-5/16 x 1-11/32 x 19-11/16
Net weight		kg (lbs)	4.4(9.7)	4.4(9.7)

## Notes:-

1. Capacities are based on the following conditions:

- Cooling
  - Indoor temp. 27°C[80.6°F]DB/ 19°C[66.2°F]WB
  - Outdoor temp. 35°C[95°F]DB/ 24°C[75.2°F]WB
  - Interconnecting piping length 7.5m
  - Level difference of zero
- Heating
  - Indoor temp. 20°C[68°F]DB/ 15°C[59°F]WB
  - Outdoor temp. 7°C[44.6°F]DB/ 6°C[42.8°F]WB
  - Interconnecting piping length 7.5m
  - Level difference of zero

2. Capacities are net capacities

3. Due to our policy of innovation some specifications may be changed without prior notification

4. To be added for more available models

5. EEV : Electronic expansion valve

## Conversion formula

kcal/h= kW x 860  
 Btu/h = kW x 3412  
 cfm = m<sup>3</sup>/min x 35.3  
 l/s = CMM x 1000/60

## 2. List of Functions

### ◆ Basic functions of Indoor Unit

Category	Functions	ZMNW09GTUA0 [MT09R NU1] ZMNW12GTUA0 [MT11R NU1]
Air flow	Air supply outlet	1
	Airflow direction control (left & right)	Auto
	Airflow direction control (up & down)	Auto
	Auto swing (left & right)	O
	Auto swing (up & down)	O
	Airflow steps (fan/cool/heat)	4 / 5 / 4
	Chaos wind(auto wind)	O
	Jet cool/heat	O / X
	Swirl wind	X
Air purifying	Triple filter (Deodorizing)	X
	Plasma air purifier	X
	Allergy Safe filter	X
	Long-life prefilter (washable / anti-fungus)	O
Installation	Drain pump	O
	E.S.P. control*	O
	Electric heater	X
	High ceiling operation*	O
Reliability	Hot start	O
	Self diagnosis	O
Convenience	Auto changeover	X
	Auto cleaning	X
	Auto operation(artificial intelligence)	O
	Auto Restart	O
	Child lock*	O
	Forced operation	O
	Group control*	O
	Sleep mode	O
	Timer(on/off)	O
	Timer(weekly)*	O
	Two thermistor control*	O
Auto Elevation Grille	X	
Special Functions	Wi-Fi	O (Accessory)
	Humidity Control	X
Comes with product	Wireless Remote Controller	X
	Wired Remote Controller	O**
Network Solution(LGAP)		O

O : Applied      X : Not applied      - : No relation

Option : Model name & price are different according to options, and assembled in factory with main unit.

Accessory : Installed at field, ordered and purchased separately by the corresponding model name, supplied with separate package.

## ◆ Network solution Accessory List

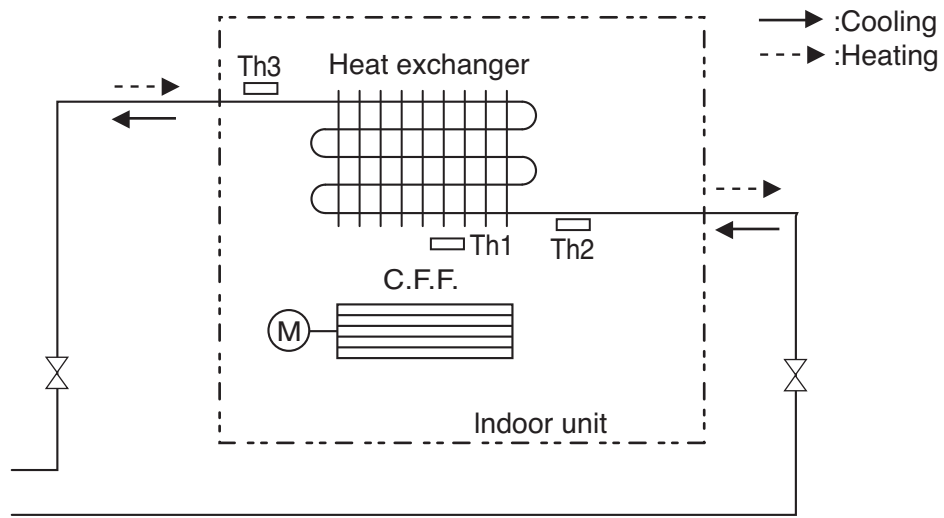
Category		Product	Remark	ZMNW09GTUA0 [MT09R NU1] ZMNW12GTUA0 [MT11R NU1]
Wireless Remote Controller		PQWRHQ0FDB	Heat Pump	O
Wired Remote Controller	Simple	PQRCVCL0Q(W)	Simple	O
		PQRCHCA0Q(W)	for Hotel	O
	Standard	PREMTB001	Standard (White)	O
		PREMTBB01	Standard (Black)	O
		PREMTB100**	New Standard (White)	O
Premium	PREMTA000(A/B)	Premium	O	
Dry contact	Simple Contact	PDRYCB000	Simple Dry Contact	O
	Communication type	PDRYCB400	2 Points Dry Contact (For Setback)	O
		PDRYCB300	-	O
		PDRYCB500	Dry Contact For Modbus	O
Gateway	IDU PI485	PHNFP14A0	Connected with the Indoor Units	X
		PSNFP14A0	Connected with the Indoor Units	X
ETC	Remote temperature sensor	PQRSTA0	-	O
	Zone controller	ABZCA	-	X
	Electronic thermostat	AQETC	-	X
	CTI (Communication transfer interface)	PKFC0	-	X
	CO <sub>2</sub> Sensor	PES-C0RV0	For ERV, ERV DX Indoor units	X
	Group control wire	PZCWRCG3	0.25m	O
	2-Remo Control Wire	PZCWRC2	0.25m	O
	Extension Wire	PZCWRC1	10m	O
	Wi-Fi Controller*	PWFMD200	-	O
	Human detecting sensor	PTVSMA0	-	X

O : Applied      X : Not applied      - : No relation

Option : Model name & price are different according to options, and assembled in factory with main unit.

Accessory : Installed at field, ordered and purchased separately by the corresponding model name, supplied with separate package.

### 3. Piping Diagrams



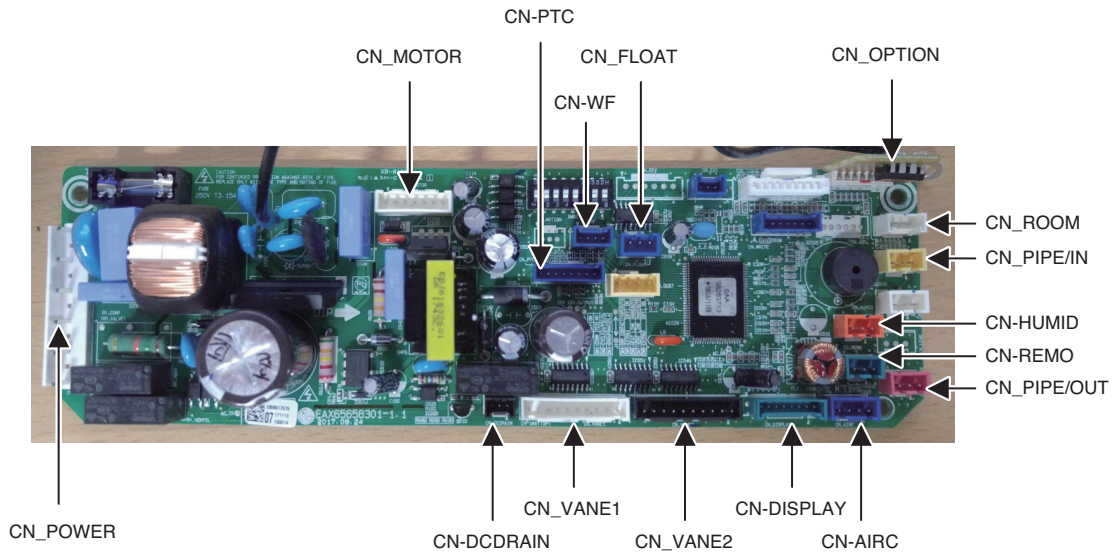
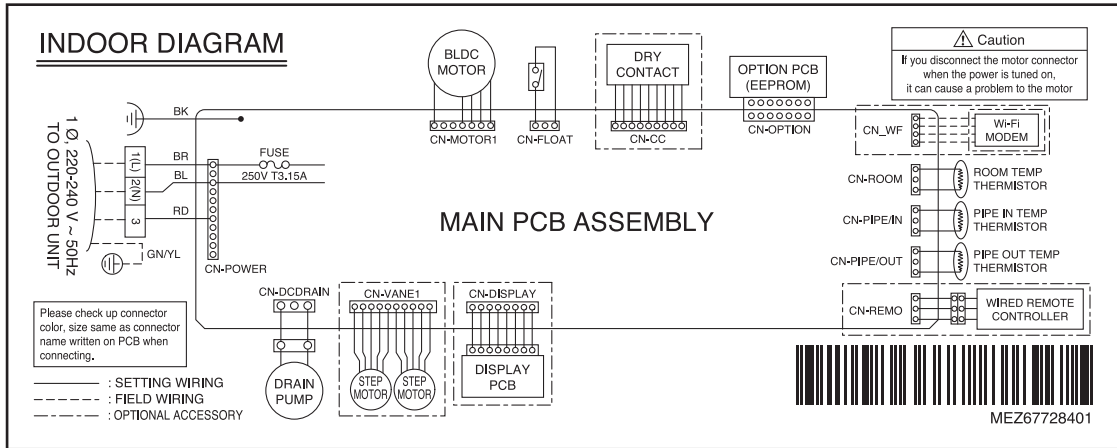
■ Refrigerant pipe connection port diameter

[Unit: mm(inch)]

Model	Gas	Liquid
ZMNW09GTUA0 [MT09R NU1]	Ø9.52(3/8)	Ø6.35(1/4)
ZMNW12GTUA0 [MT11R NU1]		

LOC.	Description
Th1	Room thermistor
Th2	Pipe in thermistor
Th3	Pipe out thermistor

# 4. Wiring Diagrams

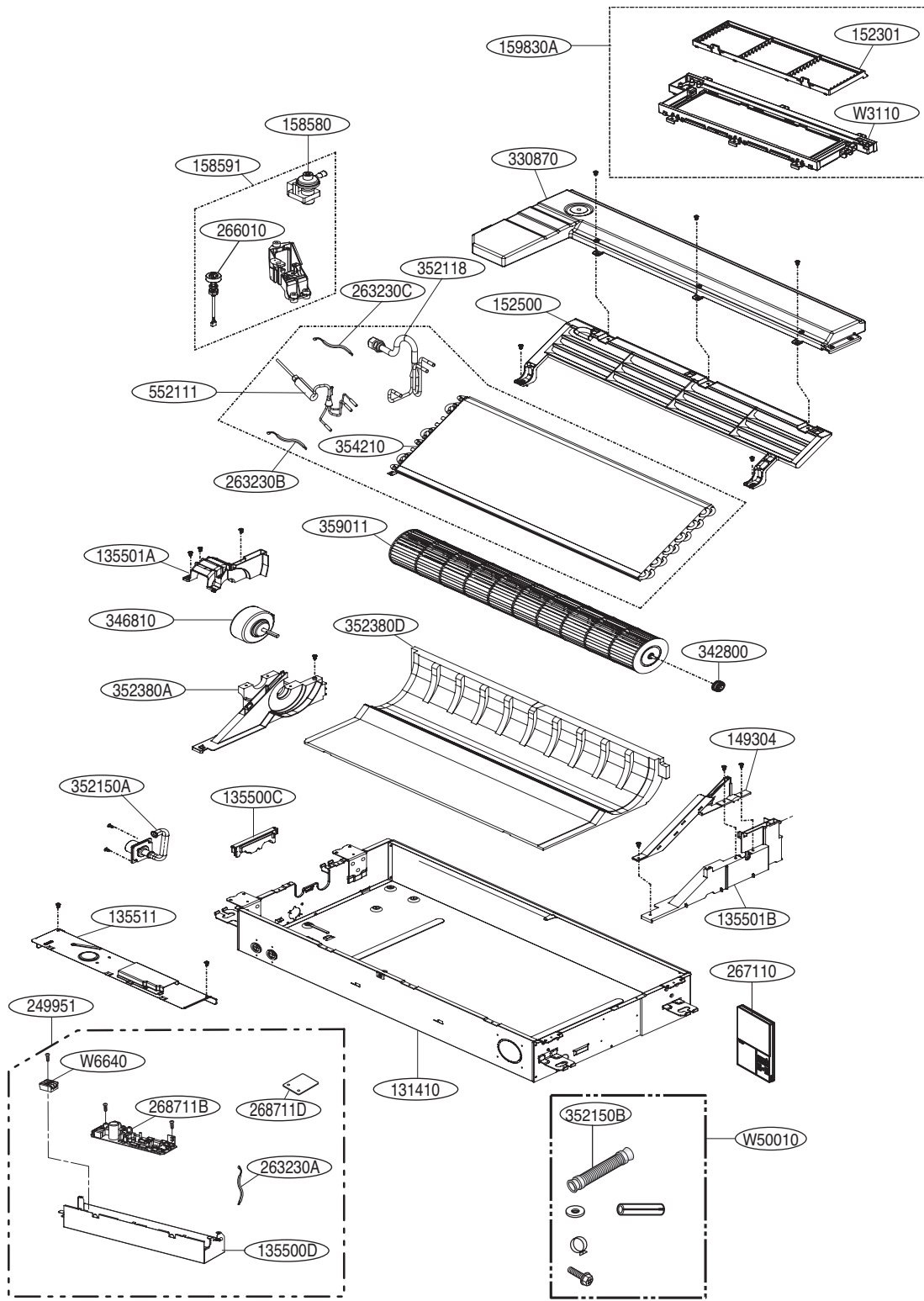


Dip switch setting		Off	On	Remarks
SW3	Group	Master	Slave	Group control setting using wired remote controller
SW4	Dry contact	Variable	Auto	Dry contact mode setting 1. Variable : Auto/manual mode can be chosen by wide wired remote controller or wireless remote controller (when shipped from factory → manual mode) 2. Auto : For dry contact, it is always auto mode.
SW5	Extra 1	Off	On	1. Duct model -. Off : Default(not operate continuously) -. On : Fan operate continuously 2. Cassette model : No function 3. Ceiling suspended model -. Off : Ceiling(default) -. On : Floor

**⚠ C , T , ON**

For Multi model, dip switch 1,2,6,7,8 must be set off. Those dip switches are used for other models.

# 5. Exploded View



Location No.	Description	Sensor Information	Housing color
263230A	Thermistor 1	Air	Yellow
263230B	Thermistor 2	Pipe in	White
263230C	Thermistor 3	Pipe Out	Red



P/NO : MFL67568601